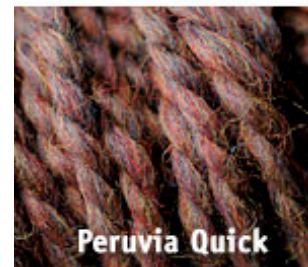


FREE  
PATTERNS

Vik

knit in **Peruvia® Quick** | [color info](#)  
Skill level: **Easy**[rolover to enlarge](#)[rolover to enlarge](#)[Schematic](#) | [Chart](#) | [Abbreviations & Terms](#)

Peruvia Quick

Find this Yarn

WEB EXCLUSIVE  
www.berroco.com

Vik evokes the most stylish sweaters of the 70s. With chunky colorwork and a tall foldback collar, this figure flattering cardigan is a snap to knit.

**PDF Pattern Instructions**

(If you can't open this PDF file you need Adobe Acrobat Reader. Get it [here](#).)

Shown in size Small

**SIZES**

Directions are for women's size X-Small. Changes for sizes Small, Medium, Large, 1X and 2X are in parentheses.

**FINISHED MEASUREMENTS**

Bust (closed) – 32(36-40-44-48-52)''

Length – 26¼(27-27-27½-27½-28)'' (not including collar)

**MATERIALS**

5(6-6-6-7-7) Hanks **BERROCO PERUVIA QUICK** (100 grs), #9143 Aquamarina (MC), 2 Hanks #9147 Blue Nile (A) and 1 hank each #9114 Chipotle (B) and #9123

Dragon (C)

29'' Length circular knitting needles, sizes 9 (5.50 mm),10 (6.00 mm) and 11 (8.00 mm) OR SIZE TO OBTAIN GAUGE

Straight knitting needles, size 10 (6.00 mm)

1 Set each double pointed knitting needles, sizes 10 (6.00 mm) and 11 (8.00 mm)

Eight 1¼'' buttons

Stitch holders

**GAUGE**

12 sts = 4"; 16 rows = 4" in St st on size 11 (6.00 mm) needles  
TO SAVE TIME, TAKE TIME TO CHECK GAUGE

**NOTE**

Body is worked in one piece to underarms. Sleeves are worked in the round to underarms, then joined to body. Yoke is then worked in one piece.

**BODY**

With smallest circular needle, using MC, cast on 136(152-168-180-196-212) sts.

**Ribbing: Row 1 (RS):** P1, \* k2, p2, rep from \* to last 3 sts, end k2, p1.

**Row 2:** K1, \* p2, k2, rep from \* to last 3 sts, end p2, k1. Rep these 2 rows until piece measures 3½" from beg, end on RS. Change to largest circular needle and p the next row, dec 26(30-34-34-38-42) sts across – 110(122-134-146-158-170) sts. Work even in St st until piece measures 4" from beg, end on WS.

**Dec Row (RS):** K23(26-29-32-35-38), SSK, place marker, k2, place marker, k2 tog, k52(58-64-70-76-82), SSK, place marker, k2, place marker, k2 tog, k23(26-29-32-35-38) – 106(118-130-142-154-166) sts. Continue to dec 4 sts in this manner every 4" 3 times more – 94(106-118-130-142-154) sts. Work even until piece measures 17" from beg, end on RS.

**Next Row (WS):** P18(21-24-27-30-33), bind off 8 sts, p until there are 42(48-54-60-66-72) sts on RH needle after bound-off sts, bind off 8 sts, p to end – 78(90-102-114-126-138) sts. Leave sts on circular needle for yoke.

**SLEEVES** (Make 2)

With smaller dpn's, using MC, cast on 36 sts. Join, being careful not to twist sts. Mark for beg of rnd and carry marker up. Work even in k2, p2 ribbing for 3". Change to larger dpn's and k the next row, dec 6 sts evenly spaced around – 30 sts. Work even in St st (k EVERY rnd) until sleeve measures 4" from beg.

**Inc Rnd:** K1, M1k, k to last st, M1k, k1 – 32 sts. Rep this inc every 4½(2¼-1¾ -1¼-1-1)" 2(4-5-7-8-9) times more – 36(40-42-46-48-50) sts. Work even until sleeve measures 14" from beg.

**Next Rnd:** K to last 4 sts, bind off 8 sts. Sl remaining 28(32-34-38-40-42) sts onto holder for yoke.

**YOKE**

Using MC, k18(21-24-27-30-33) sts from circular needle, k28(32-34-38-40-42) sts of first sleeve, k42(48-54-60-66-72) sts from circular needle, k28(32-34-38-40-42) sts of second sleeve, k18(21-24-27-30-33) sts from circular needle – 134(154-170-190-206-222) sts. Using largest circular needle, work even in St st for 1", end on WS, dec 1st at end of last row – 133(153-169-189-205-221) sts. Work even in St st, following chart, for 18 rows, end on WS, dec 1 st at end of last row – 132(152-168-188-204-220) sts. Change to A and work even in St st for 2 rows, end on WS. Knit the next row, dec 27(37-43-53-59-67) sts across. Work even until yoke measures 9½(10-10-10½-10½-11)", end on RS. Purl the next row, dec 27(37-43-53-59-67) sts across – 78(78-81-81-86-86) sts. Leave sts on circular needle for collar.

**FINISHING**

Left Frontband: With straight needles, using MC, cast on 11 sts.

**Row 1 (RS):** K2, (p1, k1) 3 times, p1, k2.

**Row 2:** P2, (k1, p1) 3 times, k1, p2. Rep these 2 rows until band, when slightly stretched, reaches Row 3 of charted pat on yoke. Change to A and work even in pat as established until band, when slightly stretched, reaches to end of yoke, end on WS, dec 1 st at end of last row. Sl remaining 10 sts onto holder. Sew inner edge of frontband to left front edge. Mark placement of 5 buttons along frontband, the first 4" up from lower edge, the last 2½" below neck and the others evenly spaced between.

**Right Frontband:** Work same as left frontband until band measures 4" from beg, end on WS.

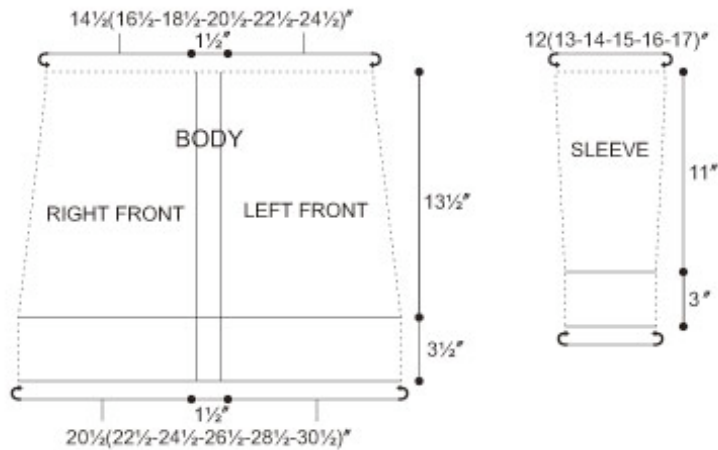
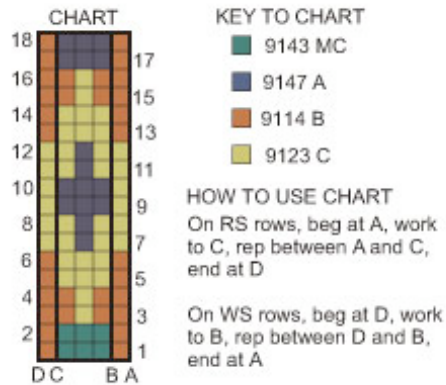
**Buttonhole Row (RS):** Work 4 sts, bind off 2 sts, work to end.

**Next Row:** Work in pat as established, cast on 2 sts over sts bound off on previous row. Complete same as left frontband, making 4 more buttonholes opposite markers. When band reaches neck, end on RS, dec 1 st at beg of the last row. Sl remaining 10 sts onto holder. Sew inner edge of band to right front edge.

**Collar:** With RS facing, sl 10 sts from right frontband holder to smallest circular needle, place marker; using A, work sts from circular needle as k1, \* p2, k2, rep from \* to last st, end k1; place marker, work sts from

left frontband holder as k1, (p1, k1) 3 times, p1, k2 – 98(98-102-102-106-106) sts.

**Row 1 (WS):** P2, (k1, p1) 4 times, sl marker, p1, \* k2, p2, rep from \* to 1 st before marker, p1, sl marker, (p1, k1) 4 times, p2. Work even in pat as established until collar measures 1", end on WS. Make 6th buttonhole over next 2 rows. Work even in pat as established until collar measures 6", end on WS. Change to size 10 circular needle and continue to work in pat as established until collar measures 7½" from beg, end on WS. Make 7th buttonhole over next 2 rows in left frontband instead of right frontband. Work even until collar measures 10½", end on WS. Make 8th buttonhole over next 2 rows in left frontband. Work even until collar measures 12", end on WS. Bind off loosely in ribbing. Sew bound-off sts at underarms tog. Sew on buttons.



[Home](#) | [Yarn Shops](#) | [Yarns](#) | [Free KnitBits®](#) | [New This Season](#) | [Free Patterns](#) | [Blog](#) | [Multimedia](#)  
[Pattern Corrections](#) | [Abbreviations & Terms](#) | [Links](#) | [Handeze® Glove](#) | [Scarf Central](#)  
[About Us](#) | [Privacy Statement](#) | [FAQs](#) | [Contact Us](#)

Berroco, Inc. P.O. Box 367, 14 Elmdale Road, Uxbridge, MA 01569-0367 USA  
 copyright 2010 Berroco