

210-39 Rose Bag

© Pierrot Yarns (Gosyo Co., Ltd.). Translation by Linda Lanz.



Materials

- Pierrot Yarns Pastel Jute [100% jute; 40 yds/ 37m per 1.41 oz. / 40g skein];
 - color #04 biscuit; 6 skeins [220g]
 - color #10 silver gray; 2 skeins [70g]
- Pierrot Yarns Cotton Neat [100% cotton; 58 yds/ 53m per 1.41 oz. / 40g skein]; small amounts of color #610 red, #611 coral pink, and #621 greenish brown
- 5.0mm (US H) crochet hook or size necessary to achieve gauge
- 3.05m / 3.34 yd length of [teknorote](#) (0.7mm thickness) or similar stiff cord, such as nylon monofilament

Gauge

Gauge measured in a swatch 10cm/4" square.

- single crochet (US): 14 sts and 15 rows
- pattern stitch: 14 sts and 14.5 rows

Finished measurements

- width 37cm/14.6"
- depth 20cm/7.9"

Crochet Tips

Body of bag: Chain to cast on, and work first row through bottom loops of chain. Crochet bottom of bag in single crochet (US) according to schematics, increasing as indicated. Continue on to the sides. Insert teknorote (or other stiff cord) into 10th round of bottom and 25th-27th rounds of sides by working single crochet around cord.

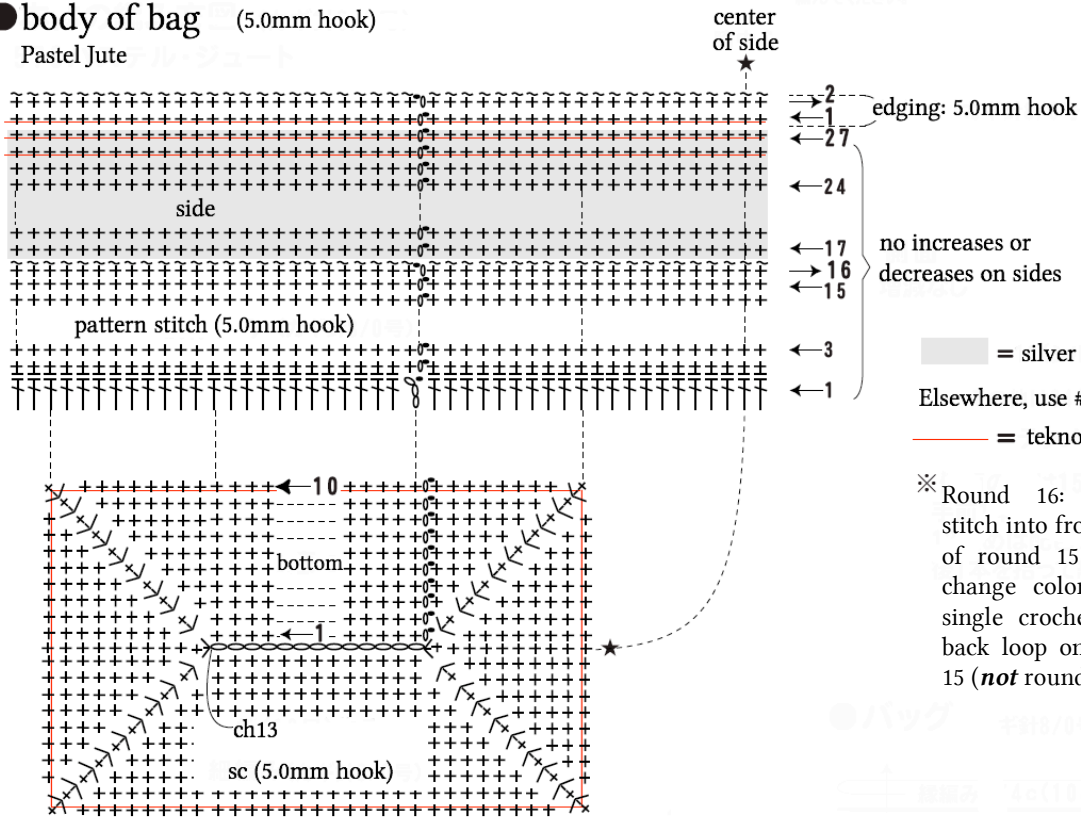
❖ See schematics for color sequence.

Embroidery: Cross-stitch in designated place using two strands of Cotton Neat.

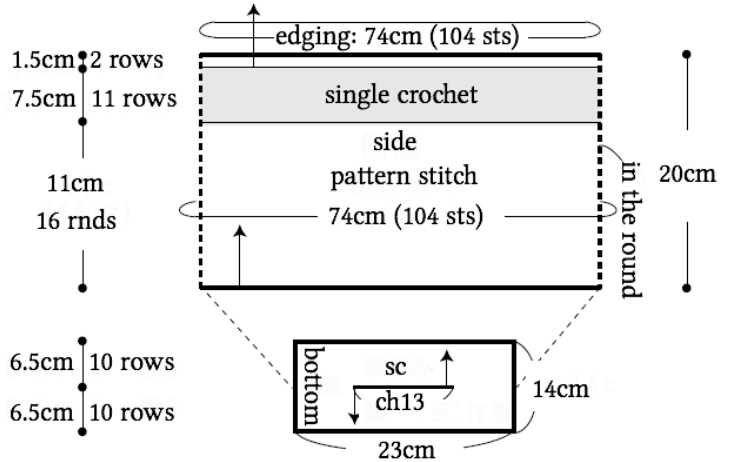
Handles: Attach handles as shown in steps 1-4 of finishing schematic.

● **body of bag** (5.0mm hook)

Pastel Jute

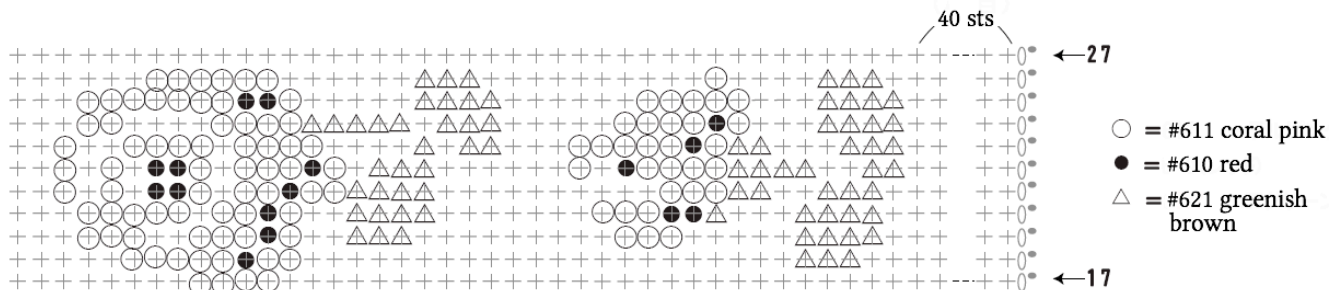


● **bag** (5.0mm hook)

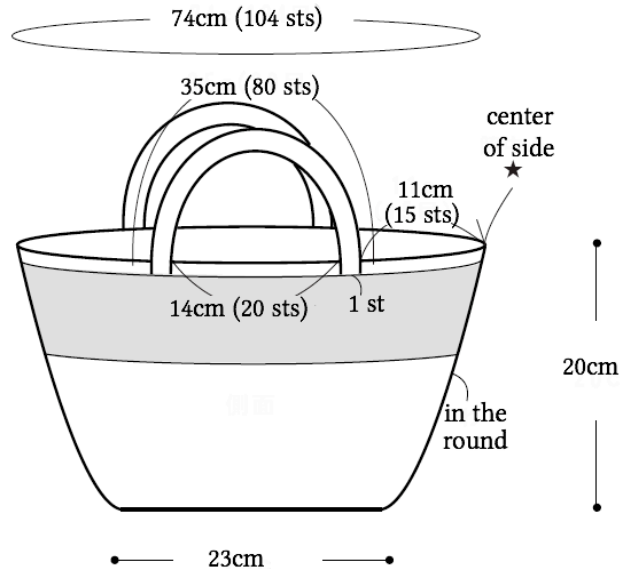


● **rose cross-stitch**

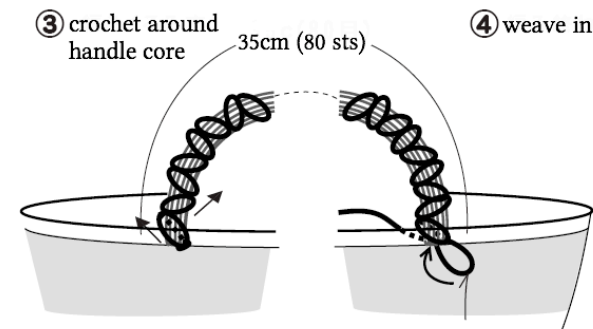
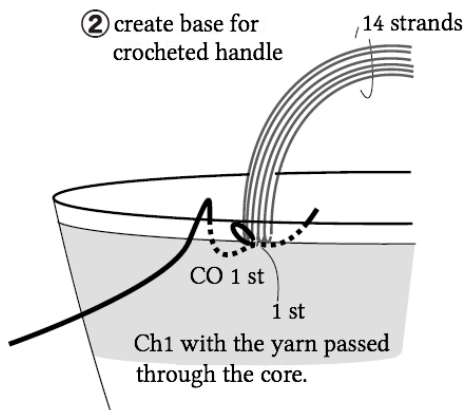
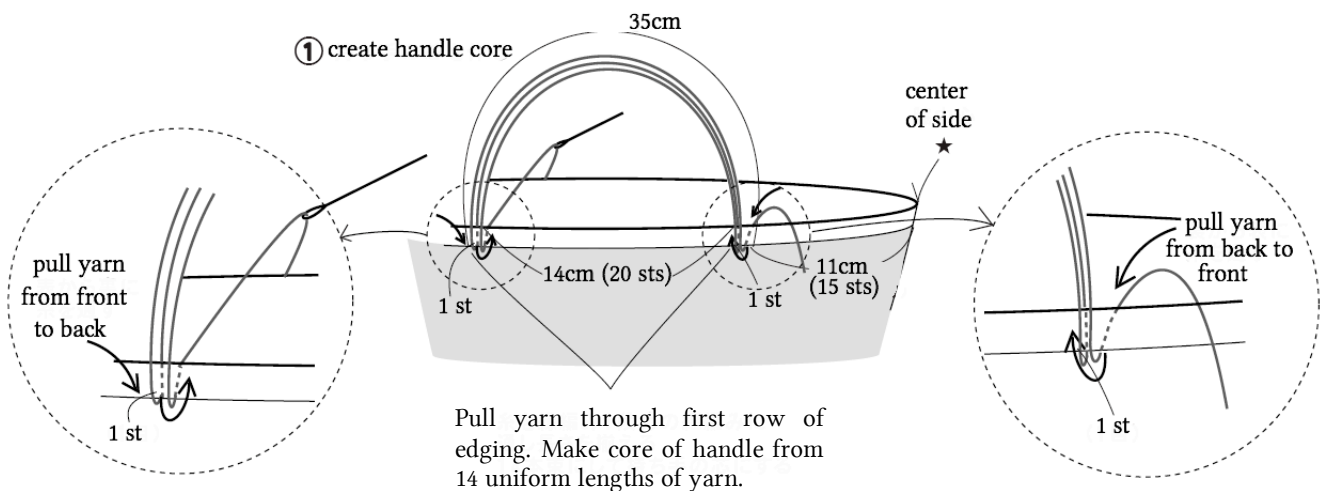
(2 strands of Cotton Neat)



● finishing



● handles 作り方



④ weave in ends

Cut yarn leaving 10cm/4" tail. Insert tail from last stitch through core and fasten on wrong side of bag.

※ Make the other handle in the same manner.