

Sarasota
Lacy Shawl



Designed by
Linda Medina



Sarasota Lacy Shawl

Designed By Linda Medina

Skill Level:

Intermediate

Size:

60" wide x 26" (at center back) length

Materials:

Cascade Yarns® Sarasota
60% Cotton / 40% Acrylic
100 g (3.5oz) / 314 yd (287.5 m)
4 skeins of color #07 (Orange Popsicle)
US 5 (3.75 mm) 40" (100 cm) or longer
circular needle or size to obtain gauge
Yarn Needle
4 stitch markers

Gauge:

22 sts x 25 rows = 4" (10 cm) Blocked, in
Lace Pattern

Abbreviations:

BO	= Bind Off
CO	= Cast On
K	= Knit
K2tog	= Knit 2 stitches together
K3tog	= Knit 3 stitches together
K2togTbl	= Knit 2 stitches together through back loop
P	= Purl
P2tog	= Purl 2 stitches together
PM	= Place Marker
PSSO	= Pass slip stitch over
RS	= Right Side
St(s)	= Stitch(es)
Sl1	= Slip 1 st purlwise
SM	= Slip Marker
SSK	= Slip 1 st, Slip 1 st knit-wise and knit these 2 sts through the back loops
WS	= Wrong Side
YO	= Yarn Over

Special Stitches:

English Mesh Lace Pattern Stitch: (Multiples of 6)

Row 1 (RS): *[YO, SSK, K1, K2tog, YO, K1]; repeat from * across.

Rows 2 and all WS Rows: P all sts.

Row 3: *[YO, K1, Sl1-K2tog-PSSO, K1, YO, K1]; repeat from * across.

Row 5: *[K2tog, YO, K1, YO, SSK, K1]; repeat from * across.

Row 7: *[(K1, YO) twice, K1, S11-K2tog-PSSO]; repeat from * across.

Repeat Rows 1 - 8 for stitch pattern.

Center Panel (11 sts + 4)

Row 1 (RS): K5, K2tog, YO, K1, YO, K2tog, K5.

Row 2 and all WS Rows: K2, P11, K2.

Row 3: K4, K2tog, YO, K3, YO, K2tog, K4.

Row 5: K3, (K2tog, YO) twice, K1, (YO, K2tog) twice, K3.

Row 7: K2, (K2tog, YO) twice, K3, (YO, K2tog) twice, K2.

Row 9: K3, (YO, K2tog) twice, K1, (K2tog, YO) twice, K3.

Row 11: K4, YO, K2tog, YO, K3tog, YO, K2tog, YO, K4.

Row 13: K5, YO, K2tog, K1, YO, K2tog, K5.

Row 15: K6, YO, K3tog, YO, K6.

Repeat Row 1 - 16 for stitch pattern.

Note: Pattern includes both written instructions and charts. The shaping increases vary on the different charts. The shawl is knit from the top down using a garter tab. Border is knit on.

Begin Pattern:

Garter Tab:

Loosely CO 3 sts using the Cable CO.

Knit 30 rows.

Do not turn.

Rotate work 90 degrees and pick up and knit 15 sts in bumps along the Garter edge.

Rotate work another 90 degrees and pick up and knit 3 sts along the CO edge. (21 sts on needle)

Set-Up Row: (WS)

K3, PM, K2, P11, K2, PM, K3. (21 sts)

Shawl:

Rows 1 - 20: Work Chart 1

Rows 21 - 52: Work Chart 2

Rows 53 - 68: Work Chart 3

Rows 69 - 100: Repeat Rows 21 - 52 of Chart 2.

Even-number rows are worked K3, SM, P to next marker, SM, K2, P11, K2, SM, P to next marker, SM, K3.

Rows 101 - 116: Repeat Rows 53 - 68 of Chart 3.

Even-number rows are worked K3, SM, P to next marker, SM, K2, P11, K2, SM, P to next marker, SM, K3.

Rows 117 - 132: Repeat Rows 21 - 36 of Chart 2.

Even-number rows are worked K3, SM, P to next marker, SM, K2, P11, K2, SM, P to next marker, SM, K3.

Rows 133 - 149: Work Chart 4.

Border:

Do not cut yarn, turn work.

Optional: PM (I found it easier to just count the sts rather than use a marker).

With a knit-on border the sts are not BO, they are joined with the border as the border is knit.

WS rows - K2togtbl joins the last edging st to a shawl st (in essence "binding it off")

RS rows - S1 1st st (this is the joined st from the WS row)

Using Cable CO, CO 8 sts.

Border Set-Up Row (WS): K8 sts, K2togtbl. Turn.

Row 1: (RS) Sl1, K1, *[YO, P2tog, [K1, P1, K1] into next st]; repeat from * once more. (12 sts on Right-hand needle).

Row 2: [K3, YO, P2tog] twice, K1, K2togtbl.

Row 3: Sl1, K1, [YO, P2tog, K3] twice.

Row 4: BO 2 sts knit-wise (K2, Sl 1st st over the 2nd st, K1, Sl last st worked over st just knit. 2 sts bound off. 1 st on Rt-hand needle), YO, P2tog, BO next 2 sts knit-wise, YO, P2tog, K1, K2togtbl. (8 sts on Rt-hand needle).

Repeat Rows 1 - 4 of Edging around shawl, ending with a WS row. BO these sts instead of working st pattern until you reach the last edging st. Work K2togtbl to join this last st to the last shawl st neatly. End off.

Finishing:

Weave in tails.

Block to measurements.

Note: The ends of the “wings” curve up.

Key	
<input type="checkbox"/>	Knit k (RS) Knit
<input checked="" type="checkbox"/>	Knit 2 Together k2tog (RS) Knit 2 stitches together
<input checked="" type="checkbox"/>	Knit 3 Together k3tog (RS) Knit 3 stitches together
<input type="checkbox"/>	Purl p (RS) Purl
<input checked="" type="checkbox"/>	sl1-k2tog-ssso (RS)
<input checked="" type="checkbox"/>	Slip Slip Knit ssk (RS) slip, slip, knit slipped sts together
<input type="checkbox"/>	No Stitch x (RS) No Stitch
<input checked="" type="checkbox"/>	Yarn Over yo (RS) Yarn Over

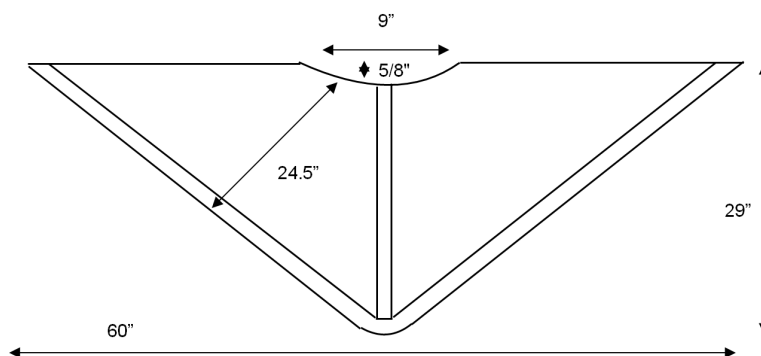


Chart Keys:

Lace Stitch pattern repeats are outlined in red.

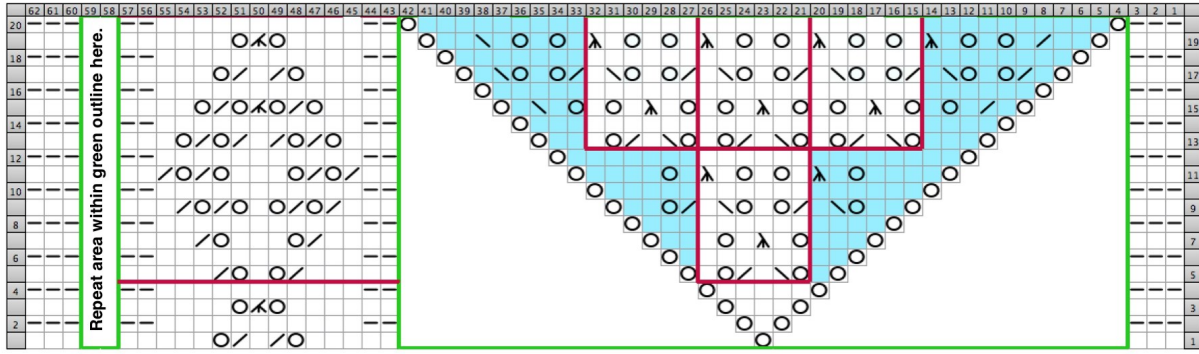
Highlighted blue area is a guide to working increase sts into pattern.

The area outlined in green is worked on both sides of the Center Panel.



Blocking Measurements:

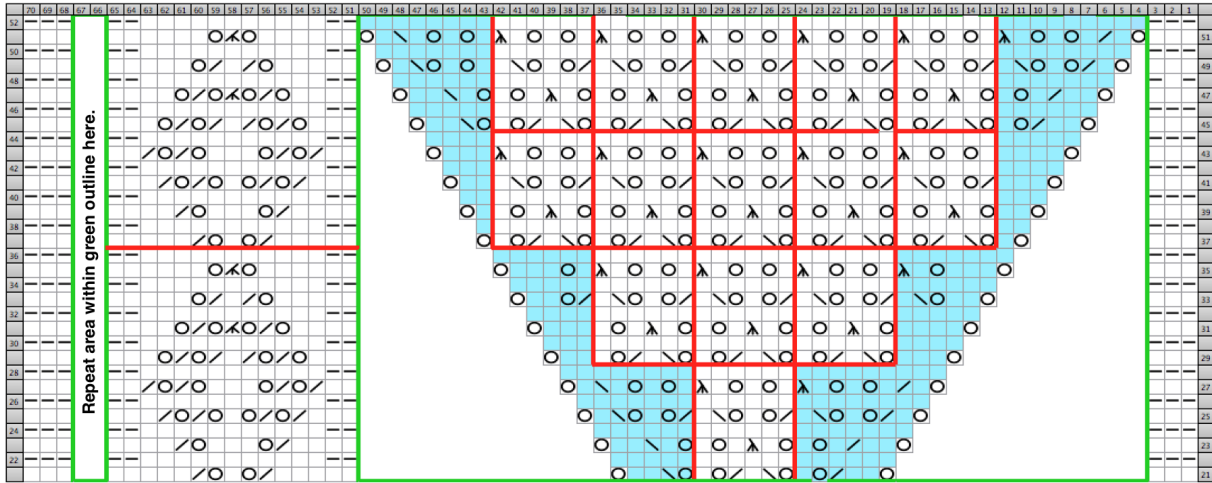
Sarasota Shawl - Chart 1



Center Panel

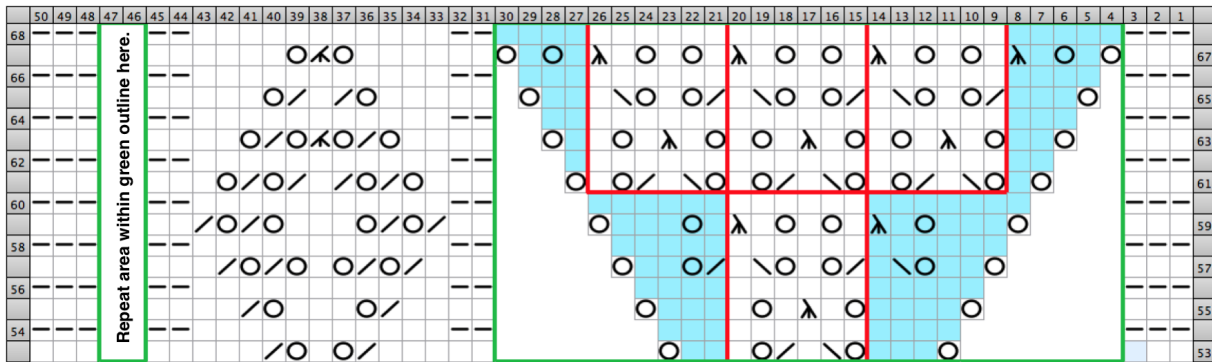
Stitch Pattern begins on Row 5

Sarasota Shawl - Chart 2



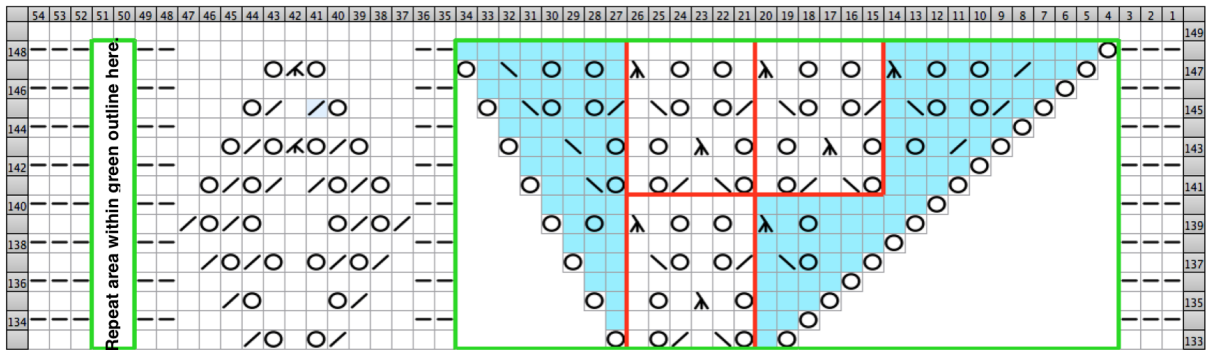
Center Panel

Sarasota Shawl - Chart 3



Center Panel

Chart 4



Center Panel